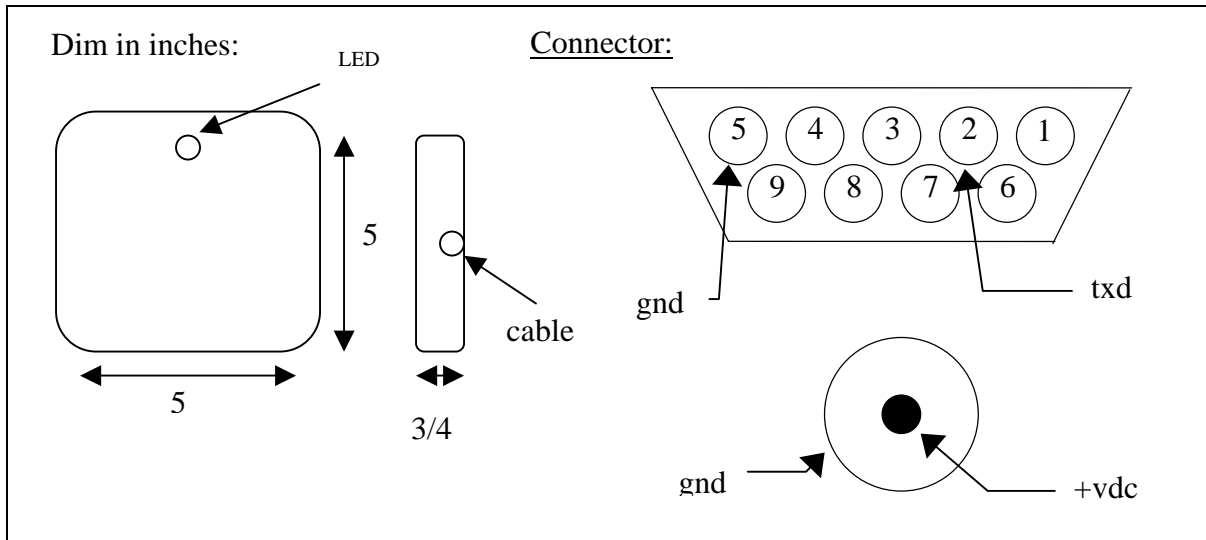


## WMROMR3

The WMROMR3 is a small RFID reader/decoder for passive RFID tags. This system includes a reader/decoder board and antenna installed in a rugged, sealed compact enclosure. It has a cable with connector for ease of installation. It is perfect for desktop use.



### Specifications

Function	Complete reader/decoder for RFID tags with PC Connectors
Interface	RS232, 9600 baud, 8 data bits, no parity, 1 stop bit
Read range	Tag dependent
Power requirements	12 VDC (9VDC Min, 16VDC Max), 100 mA max
Dimensions	5 x 5 x 3/4 inches (13 x 13 x 2 cm)
Operating temperature	0° to 40° C
Material	Black PVC
Connection	Cable (4-24 AWG), 4 feet long (1.2m) with Dsub-9 + DC Jack (2.1mm x 5mm)

### Note

- Although this reader offers some protection against reverse polarity, please double check the size and polarity of the DC plug connector before applying power.
- Placing this unit on a metal surface, desk, etc. will severely disrupt its performance.

*wmromr3 1/1 rev.mar07*

*Specifications and functionality are subject to change without notice*