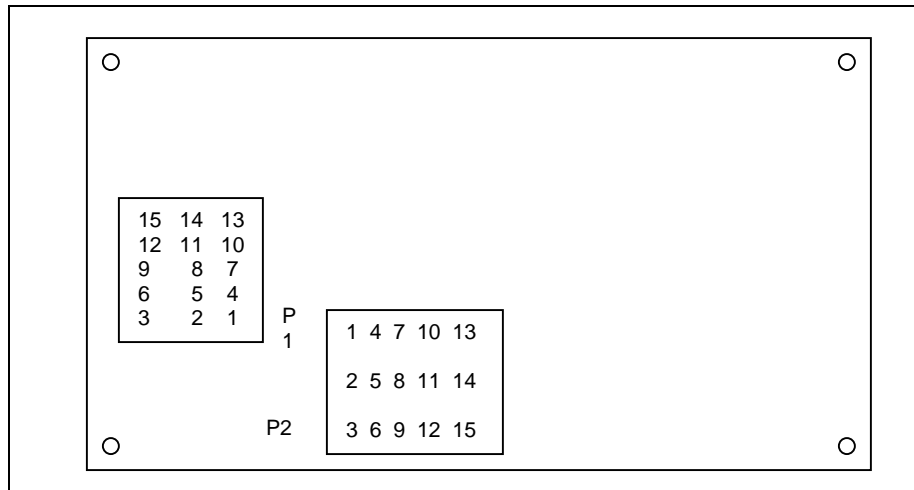


RS232-4x1 Mux

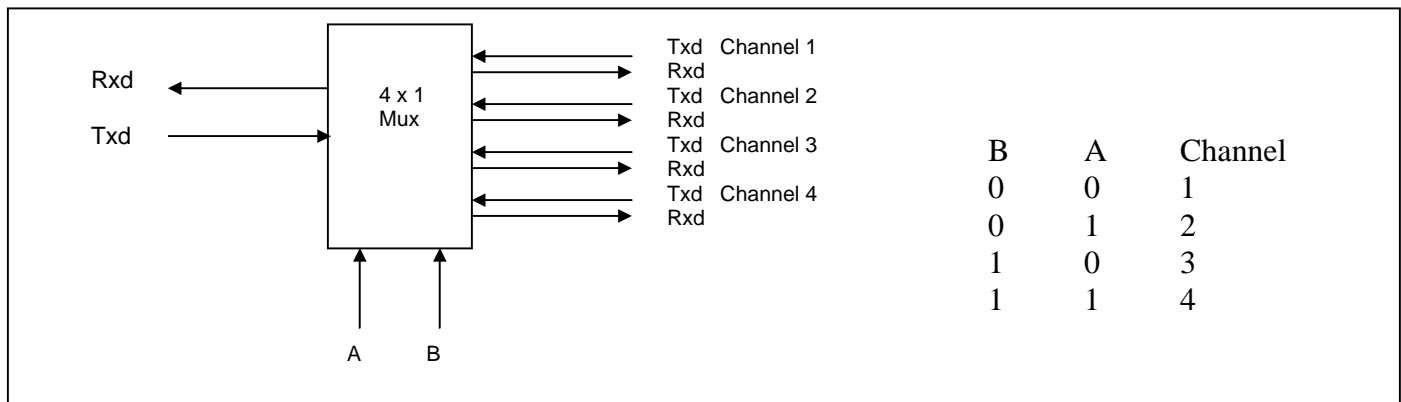
The RS232-4x1 Mux is a RS232 multiplexer. It offers 4 selectable channels with 3 wire (Txd, Rxd, Gnd) RS232 input/output. It also provides regulated 12VDC and 5VDC power available for each device connected. The channels are selected by a simple 2 bit parallel input.



Specifications

Function	1 to 4 channel RS232 multiplexer
Interface	RS232 and 2 bit TTL channel selection
Channels	4 RS232 2 wire (RxD, TxD) 9600 bps max
Power requirements	14-16 VAC (2 Amp max)
Dimensions	10 cm (l) x 7.5 cm (w) x 2.5 cm (h) (4 x 3 x 1 inches)
Connections	Molex 03-06-6155 Receptacle (P1), Molex 03-06-2151 Plug (P2)

Block and Logic Diagram



RS232-4x1 Mux *continued*

Connector and pin description

Connector P1 is a 15 pin receptacle (Molex 03-06-6155) with female terminals (Molex 02-06-1103).

Terminal position	Description (P1)
1	+5 VDC
2	+5 VDC
3	+5 VDC
4	Channel 3 Rxd
5	Channel 2 Txd
6	Channel 1 Txd
7	Gnd
8	Gnd
9	Gnd
10	Channel 3 Txd
11	Channel 2 Rxd
12	Channel 1 Rxd
13	+12 VDC
14	+12 VDC
15	+12 VDC

<i>Terminal position</i>	<i>Description (P1)</i>
1	+5 VDC
4	Channel 3 Rxd
7	Gnd
10	Channel 3 Txd
13	+12 VDC
2	+5 VDC
5	Channel 2 Txd
8	Gnd
11	Channel 2 Rxd
14	+12 VDC
3	+5 VDC
6	Channel 1 Txd
9	Gnd
12	Channel 1 Rxd
15	+12 VDC

Connector P2 is a 15 pin plug (Molex 03-06-2151) with male terminals (Molex 02-06-2103).

Terminal position	Description (P2)
1	TXD
2	Channel 4 Txd
3	+5 VDC
4	RXD
5	Channel 4 Rxd
6	+5 VDC
7	Gnd
8	Gnd
9	Gnd
10	B Control TTL
11	16 VAC (power input)
12	+12 VDC
13	A Control TTL
14	16 VAC (power input)
15	+12 VDC

<i>Terminal Position</i>	<i>Description (P2)</i>
1	TXD
4	RXD
7	Gnd
10	B Control TTL
13	A Control TTL
2	Channel 4 Txd
5	Channel 4 Rxd
8	Gnd
11	16 VAC (power input)
14	16 VAC (power input)
3	+5 VDC
6	+5 VDC
9	Gnd
12	+12 VDC
15	+12 VDC