

Passive Read-only RFID Tags

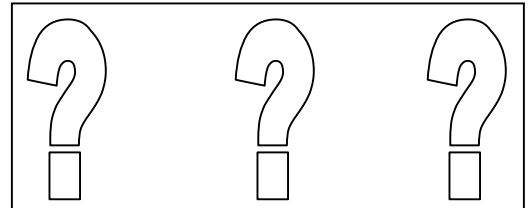
These passive read-only RFID tags are designed for a broad range of applications. They include a transponder and antenna circuit in an application specific enclosure. They provide a permanent serial number for tracking, routing, and identifying vehicles, objects, animals, or people. Because they do not require a battery, they have an unlimited lifetime and can be completely embedded in any non-metallic material. Most can be affixed with adhesives or standard fasteners. Our tags can be used anywhere a ‘hands-free’, no line of sight, automated identification is required.

General Specifications

Function	Passive read-only radio frequency identification tag
Operating frequency	125 kHz \pm 6
Modulation / Encoding	Amplitude Shift Keying (AM) / Manchester
Read speed	1,953 bits / second. (35 ms read time typical)
Memory size	64 bit read-only
Serialization	40 bit serial number

YOUR CUSTOM TAG!

Intersoft can design and manufacture the right tag at the right price for your application.

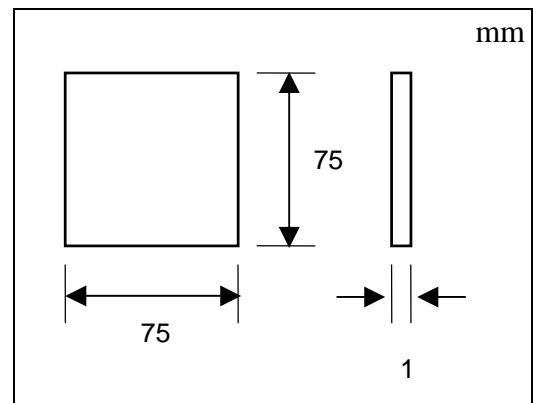


OUR STANDARD TAGS

IT75RO

The IT75RO is used where a large thin tag is required. It has a pressure sensitive adhesive backing with a removable liner for ease of application. Offers a long read range.

Dimensions, mm	75 x 75 x 1, square
Operating temp °C	-20 to +50
Storage temp °C	-40 to +90
Material	Polyester & .05mm acrylic adhesive
Color	Black, <i>others available</i>
Protection	IP66

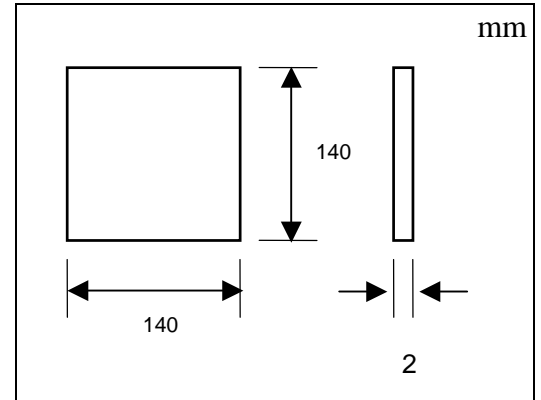


Passive Read-only RFID Tags continued

IT140RO

The IT140RO is our largest tag. It is ideal wherever a long read range, and very thin tag is required.

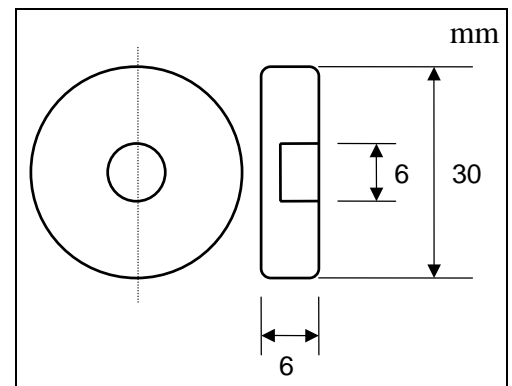
Dimensions, mm	140 x 140 x 1, square
Operating temp °C	-20 to +50
Storage temp °C	-40 to +80
Material	Polyester
Color	Black
Protection	IP66



IT30RO

The IT30RO is a rugged general purpose tag. Used where a mechanically strong, weather resistant tag is required.
(special order item)

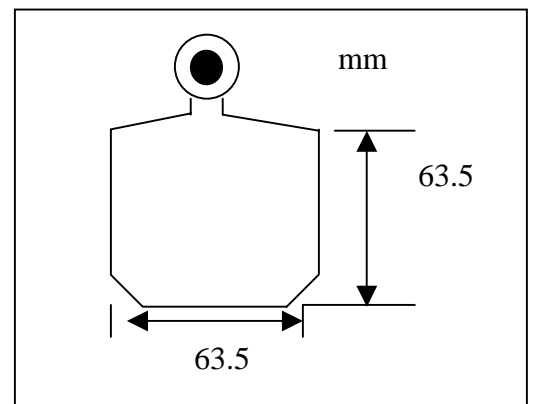
Dimensions, mm	30 x 6, disk
Operating temp °C	-40 to +85
Storage temp °C	-55 to +85
Material	Thermoset ortho polyester
Color	Red, <i>others available</i>
Protection	IP68



ETCMRO

The ETCMRO is an ear tag for animal identification. It is packaged in a rugged, flexible enclosure and includes a white nylon stud. The tags can be printed with a number (additional cost).

Dimensions, mm	63.5 x 63.5
Operating temp °C	-40 to +85
Storage temp °C	-40 to +85
Material	Polyurethane
Color	Red (other colors available)
Protection	IP68



pasrotag.doc 2/5 rev nov 05

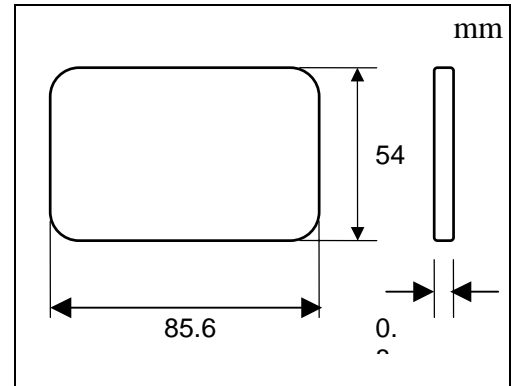
Specifications and functionality are subject to change without notice

Passive Read-only RFID Tags continued

ISOROCARD

The ISOROCARD is an ISO format ID card without a magnetic strip. It can be printed, punched and it offers two different identification methods: visual (if printed), and RFID.

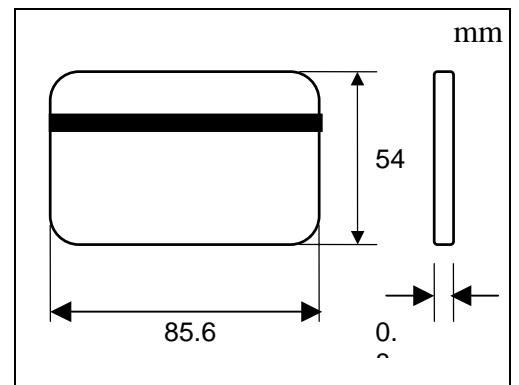
Dimensions, mm	85.6 x 54 x 0.8, 'credit card'
Operating temp °C	-20 to +50
Storage temp °C	-40 to +75
Material	PVC
Color	White
Protection	ISO 7810.5.1.5 and ISO 7816-1



ISOROMAG

The ISOROMAG is an ISO format ID card with a magnetic strip. It can be printed, punched and it offers three different identification methods: visual (if printed), magnetic and RFID.

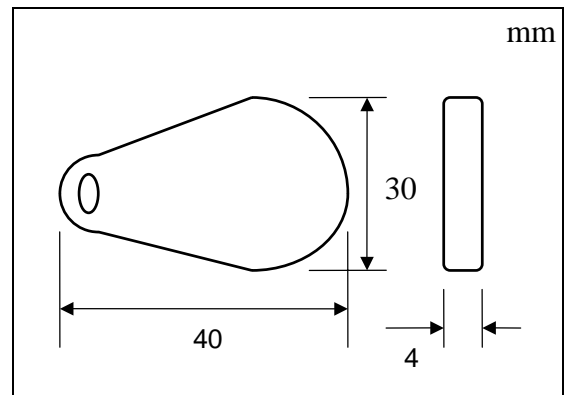
Dimensions, mm	85.6 x 54 x 0.8, 'credit card'
Operating temp °C	-20 to +50
Storage temp °C	-40 to +75
Material	PVC
Color	White
Protection	ISO 7810.5.1.5 and ISO 7816-1



FOBRO

The FOBRO is designed for attaching to key rings. Used for access control, customer loyalty, personnel identification, etc.

Dimensions, mm	40 x 30 x 4, 'key fob'
Operating temp °C	-20 to +50
Storage temp °C	-40 to +70
Material	ABS
Color	Red, <i>others available</i>
Protection	IP65



pasrotag.doc 3/5 rev nov 05

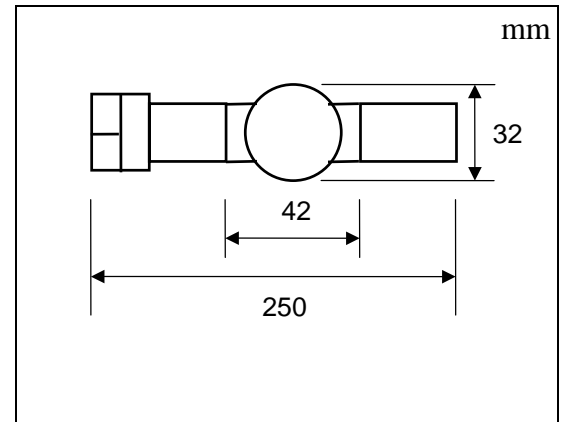
Specifications and functionality are subject to change without notice

Passive Read-only RFID Tags continued

WATCHRO

The WATCHRO is designed to be worn on the wrist. Attractive design - 'watch' face can be printed. Used for ski lift ticketing, payment control, worker station ID, access control, etc. (*special order item*)

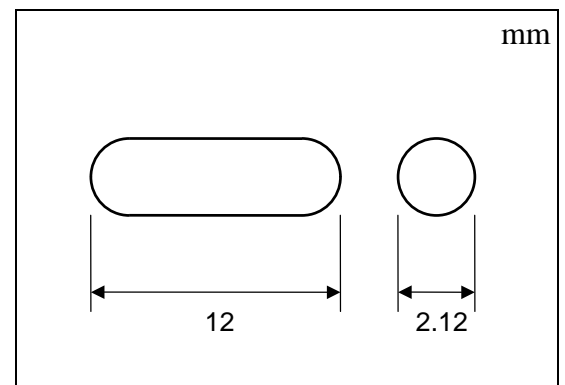
Dimensions, mm	250 x 32, 'wrist watch'
Operating temp °C	-20 to +50
Storage temp °C	-40 to +70
Material	ABS
Color	Blue, <i>others available</i>
Protection	IP65



GLT12x2RO

The GLT12x2RO is used where nothing else will fit!. Small size, chemical resistance, and inexpensive are its chief attributes..

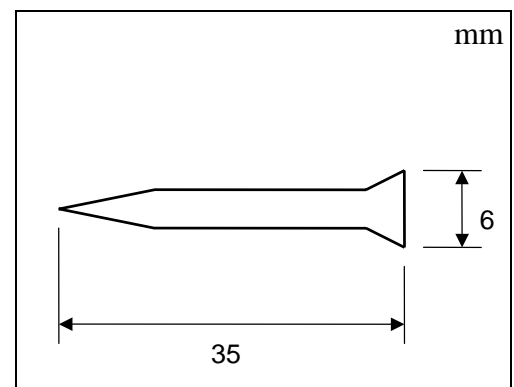
Dimensions, mm	12 x 2, cylinder
Operating temp °C	-40 to +85
Storage temp °C	-55 to +90, +135 peak
Material	Glass
Color	Transparent
Protection	IP68



PNL35x6RO

The PNL35x6RO is designed to be embedded into wood objects, such as pallets, lumber, logs, etc. It can be used where an easily embeddable, small tag is required. Good chemical resistance.

Dimensions, mm	35 x 6, 'nail'
Operating temp °C	-20 to +85
Storage temp °C	-20 to +120, +180 peak for 1 min.
Material	Polyphenylene Sulfide (PPS)
Color	Black
Protection	IP67



pasrotag.doc 4/5 rev nov 05

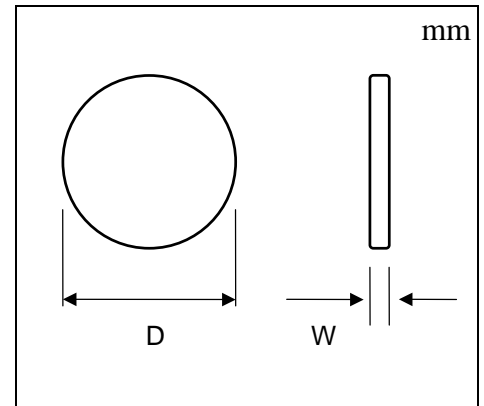
Specifications and functionality are subject to change without notice

Passive Read-only RFID Tags

EPD20RO / EPD30RO (-ch) / EPD50RO (-ch)

These tags are rugged, small and inexpensive. Used where heat and chemical resistance is required. EPD30RO-ch and EPD50RO-ch have a center hole.

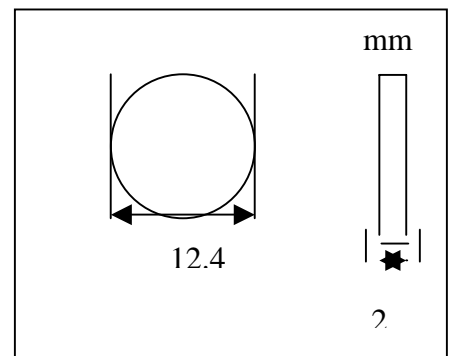
	<u>EPD20RO</u>	<u>EPD30RO</u>	<u>EPD50RO</u>
Dim, mm	20 x 0.8	30 x 0.8 disk	50 x 0.8 disk
Op. temp °C	-20 to +85	-20 to +85	-20 to +85
St. temp °C	-20 to 130, +200 peak for 2 min	-20 to 130, +200 peak for 2 min	-20 to 130, +200 peak for 2 min
Material	Epoxy, glass fiber reinforced	Epoxy, glass fiber reinforced	Epoxy, glass fiber reinforced
Color	Black	Black	Black
Protection	IP66	IP66	IP66



LTURO120

The LTURO120 is a small disk that is extremely chemical resistant, and has excellent heat resistance. Used in very harsh environments.

Dimensions, mm	12.4 x 2
Operating temp °C	-25 to +85
Storage temp °C	-40 to +130 (up to 1000 hrs) +160 peak
Material	PPS, Epoxy
Color	Black
Protection	IP68



pasrotag.doc 5/5 rev nov 05

Specifications and functionality are subject to change without notice

